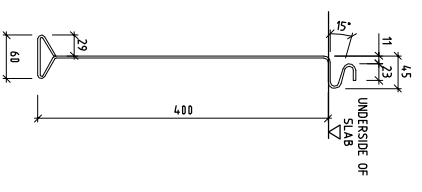
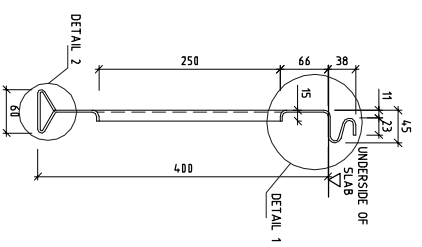


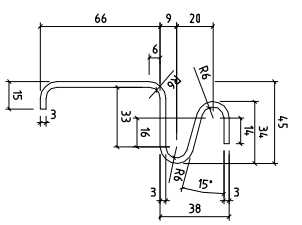
SECTION A-A  
1/5



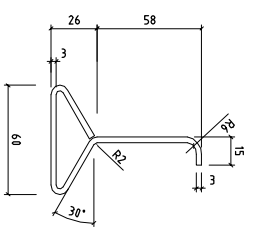
SECTION B-B  
1/5



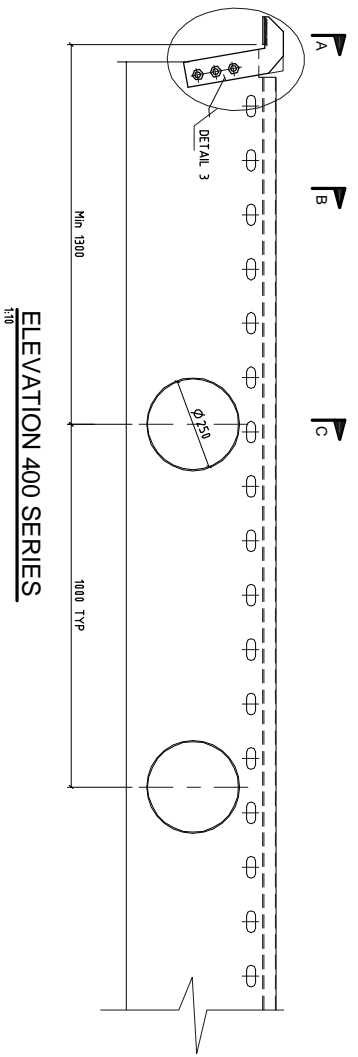
SECTION C-C  
1/5



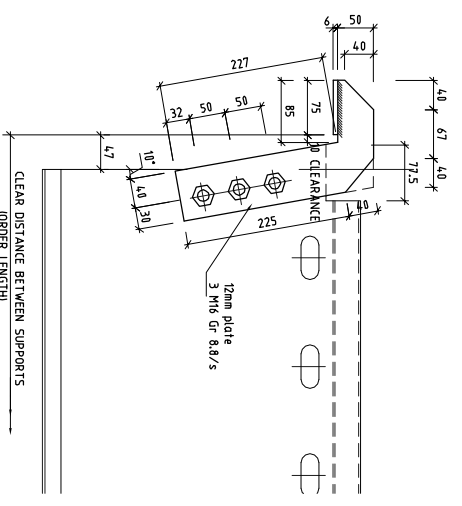
DETAIL 1



DETAIL 2



ELEVATION 400 SERIES  
1/5



DETAIL 3  
1/5

These drawings remain the property of Speedfloor Holdings Ltd and should not be copied in any form or passed on to a third party without prior written consent



PROJECT	
SPEEDFLOOR JOISTS	
400 SERIES	
DRAWING TITLE	
JOIST ELEVATION AND DETAILS	
DATE	SCALE
01/2015	AS SHOWN
DESIGNED	APPROVED
SS	
DRAWN	CAD FILENAME
KM	
DRAWING No.	REV 1
S01	