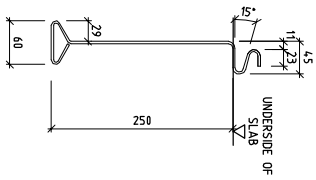
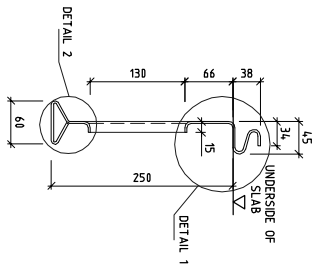


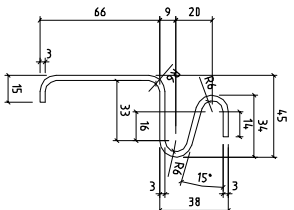
SECTION A-A
1:5



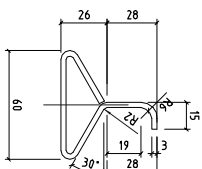
SECTION B-B
1:5



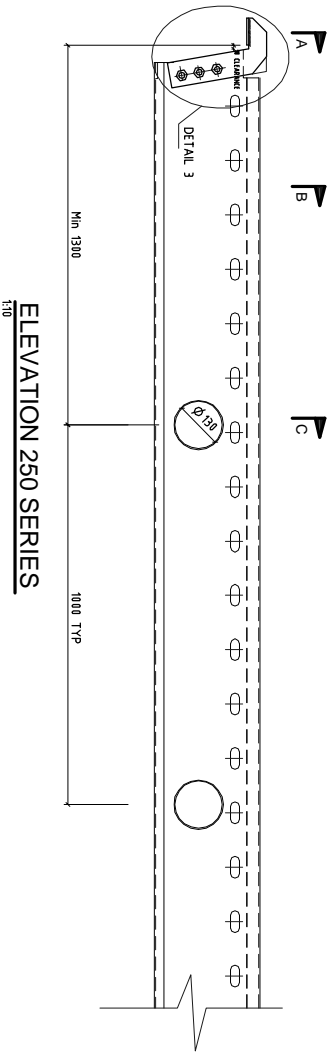
SECTION C-C
1:5



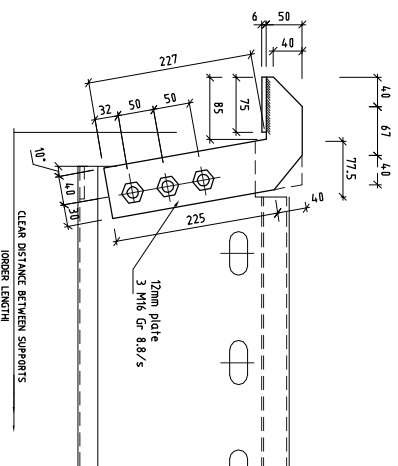
DETAIL 1



DETAIL 2



ELEVATION 250 SERIES
1:10



DETAIL 3
1:5

These drawings remain the property of Speedfloor Holdings Ltd and should not be copied in any form or passed on to a third party without prior written consent



PROJECT: SPEEDFLOOR HOLDINGS LTD

DESIGNED: 3S
DRAWN: KM
DATE: 04/2015
SCALE: AS SHOWN

DRAWING TITLE: JOIST ELEVATION AND DETAILS

DATE	04/2015	SCALE	AS SHOWN
DESIGNED	3S	APPROVED	
DRAWN	KM	CAD FILENAME	
DRAWING No.	S02	REV	REV 1