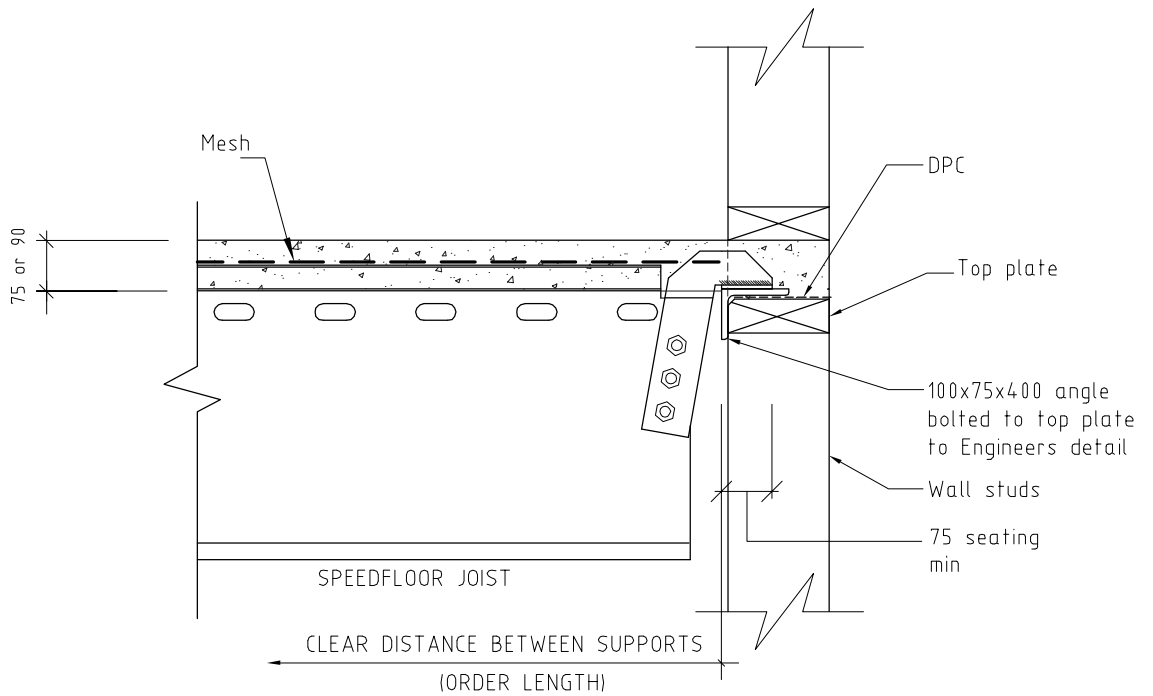


PLAN TIMBER WALL SUPPORT



TIMBER WALL SUPPORT

TIMBER STUDS & TOP PLATES TO BE CHECKED BY OTHER

IF REQUIRED JOISTS CAN BE WELDED TO TOP FLANGE OF STEEL ANGLE, 25mm OF 4mm FILLET WELD TO ONE SIDE OF JOIST SHOE



© SPEEDFLOOR HOLDINGS LTD 2001

SPEEDFLOOR STANDARD DETAILS

SD6